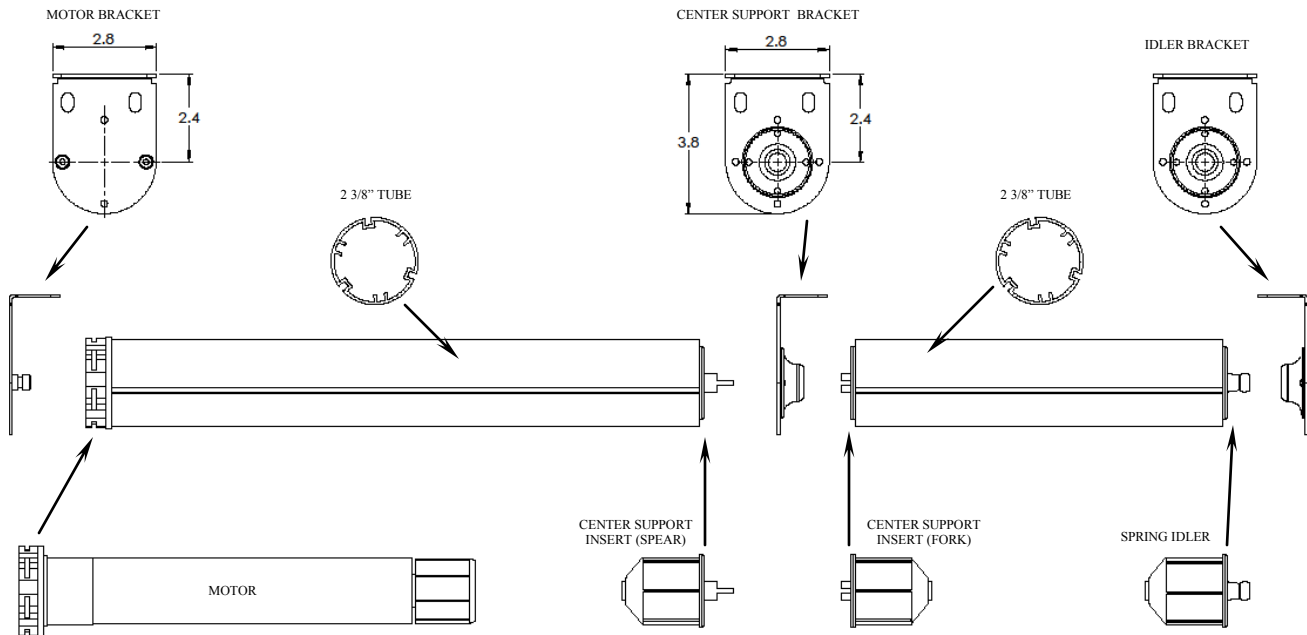


# Motorized Multiple Band Shades Installation Instructions

## AC Motorized Multiple Band Roller Shade System

A multiple-banded shade is a set of individual shades (generally 2 to 5 fabric bands) that are connected together by shade coupler brackets. These fabric bands are all run off of an individual motor. In other words, 1 motor can operate anywhere from 2 to 5 shade bands at one time. Please note that for this application, shades cannot be controlled individually; each set of coupled shades will always raise and lower together in unison. A multiple-banded shade application reduces the number of motors required for a given job and eliminates additional wiring expenses that might have been required for additional motors.

**Note:** The maximum size of the overall shade and the number of shade bands is subject to weight limitations of an individual motor.



The Multiple-Band Straight Line Center Support System Features:

- A minimal 1/4" light gap between fabric panels
- A tongue and groove locking system for firm fitting
- Spring loaded center support insert pin for simple installation and removal

### Installation Instructions: (2 People Recommended)

1. Screw the motor side bracket in place.
2. Screw the idler side bracket in place.
3. Screw the center support bracket in place such that the long leg of the bracket is aligned with the center of the window mullion. The short leg of the bracket should always point away from the motor bracket.
4. Pick up the roller shade with the motor and lock the motor head into the motor side bracket.
5. At the side opposite the motor, raise the shade up to the center support bracket. The spear end is spring loaded. Press the spear down and raise the shade until the spear pops into the center support bracket's bronze bushing. Make sure the first shade band is secure.
6. Pick up the idler roller shade (one without the motor). Press the spring loaded idler pin into the idler side bracket.
7. With the idler pin depressed as far as possible, raise the fork size of the shade to the bronze bushing. While holding the motor side shade to make sure it does not come loose, lock the fork from the idler side shade into the tang at the center support bracket. Make sure this shade band is secure.
8. Follow the motor programming instructions included with the installation brackets.

